



DEEP CYCLE
SERIES: 4000
MODEL: CH 375

BATTERY ENGINEERING
WWW.ROLLSBATTERY.COM MADE IN CANADA

BATTERY TYPE: 6 VOLTS

DIMENSIONS:

LENGTH	318 MM	12 1/2 INCHES
WIDTH	181 MM	7 1/8 INCHES
HEIGHT	425 MM	16 3/4 INCHES

WEIGHTS:

WEIGHT DRY	41 KG	90 LBS.
WEIGHT WET	53 KG	117 LBS.

CONTAINER CONSTRUCTION:

CONTAINER: HIGH DENSITY POLYPROPYLENE
COVER: HIGH DENSITY POLYPROPYLENE

TERMINALS: AUTO POST
HANDLES: ROPE

PLATES:

POSITIVE PLATE DIMENSION:

HEIGHT	273 MM	10.750 INCHES
WIDTH	143 MM	5.625 INCHES
THICKNESS	4.32 MM	0.170 INCHES

CELLS: 3
PLATES/CELL: 15

NEGATIVE PLATE DIMENSION:

HEIGHT	273 MM	10.750 INCHES
WIDTH	143 MM	5.625 INCHES
THICKNESS	3.05 MM	0.120 INCHES

SEPARATOR THICKNESS: 2 MM 0.081 INCHES
INSULATION GLASS MAT: 1 MM 0.020 INCHES

CAPACITY:

CRANK AMPS:
COLD (CCA) 0°F / -17.8°C 1066
MARINE (MCA) 32°F / 0°C 1333

ELECTROLYTE RESERVE:
ABOVE PLATES 57 MM 2.25 INCHES
RESERVE CAPACITY:
RC @ 25A 761 MINUTES

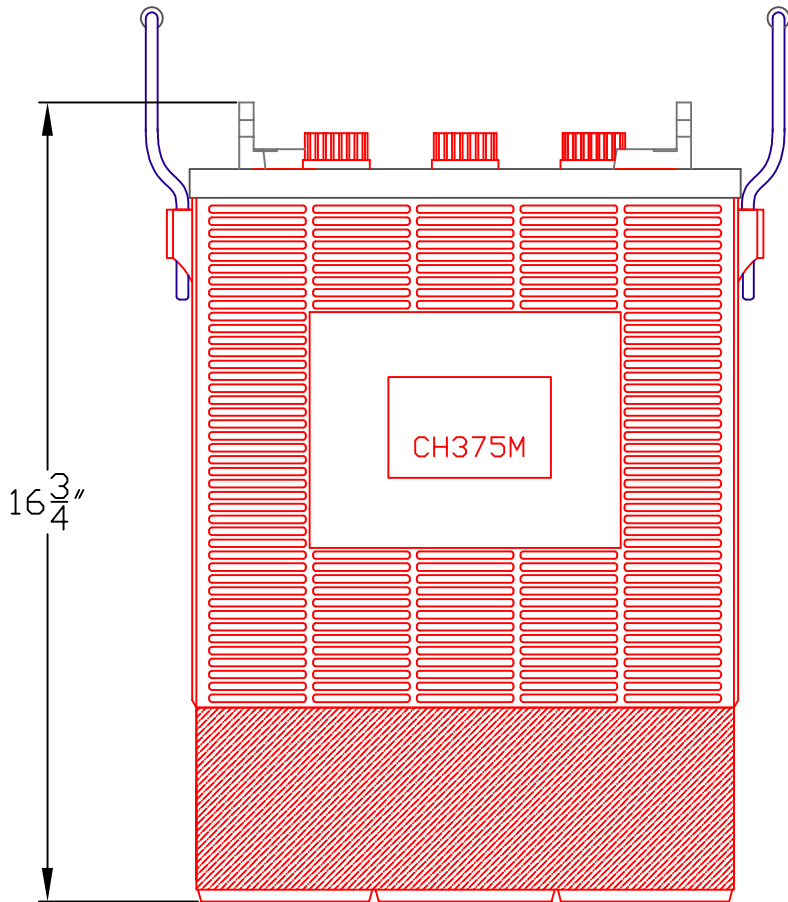
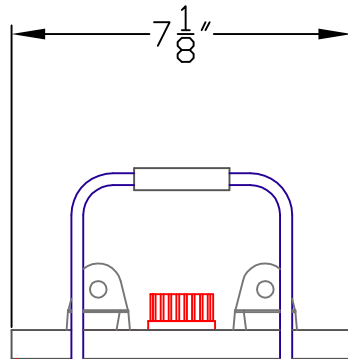
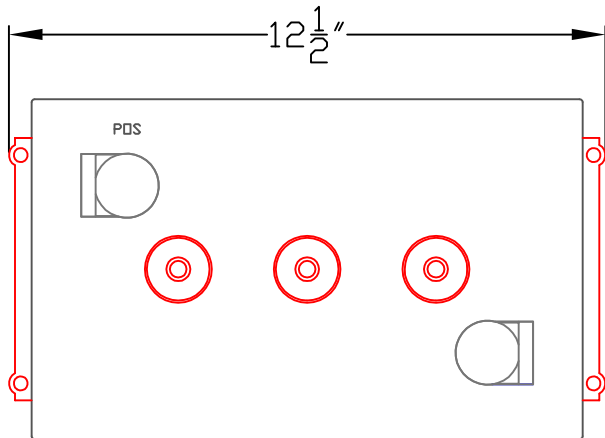
20 HR RATE: 350

	HOUR RATE	SPECIFIC GRAVITY	CAP / AH	CURRENT / AMPS
CAPACITY @	100 HOUR RATE	1.280 SP. GR.	466	4.66
CAPACITY @	72 HOUR RATE	1.280 SP. GR.	441	6.13
CAPACITY @	50 HOUR RATE	1.280 SP. GR.	417	8.33
CAPACITY @	24 HOUR RATE	1.280 SP. GR.	361	15.0
CAPACITY @	20 HOUR RATE	1.280 SP. GR.	350	17.5
CAPACITY @	15 HOUR RATE	1.280 SP. GR.	329	21.9
CAPACITY @	12 HOUR RATE	1.280 SP. GR.	312	26.0
CAPACITY @	10 HOUR RATE	1.280 SP. GR.	298	29.8
CAPACITY @	8 HOUR RATE	1.280 SP. GR.	280	35.0
CAPACITY @	6 HOUR RATE	1.280 SP. GR.	259	43.2
CAPACITY @	5 HOUR RATE	1.280 SP. GR.	245	49
CAPACITY @	4 HOUR RATE	1.280 SP. GR.	228	57
CAPACITY @	3 HOUR RATE	1.280 SP. GR.	207	69
CAPACITY @	2 HOUR RATE	1.280 SP. GR.	179	89
CAPACITY @	1 HOUR RATE	1.280 SP. GR.	126	126



I STATION RD SPRINGHILL, NOVA SCOTIA CANADA B0M 1X0 1.800.681.9914

REV.2
 Jan-10
 CH 375



PART NUMBER: CH375M

WEIGHT WET: 117 LB / 53 KG

WET DRY: 90 LB / 41 KG

CAPACITY 350 AH 20HR RATE

VOLTAGE: 6 V

OVERALL DIMENSIONS: 12 $\frac{1}{4}$ " X 7 $\frac{1}{8}$ " X 16 $\frac{3}{4}$ "



MAX HEIGHT WITH OPTIONAL HYDROCAPS 17.41"

TITLE:

CH375M

DESCRIPTION:

6V DEEP CYCLE MARINE SERIES 4000

CONTACT INFO:

WEB: WWW.ROLLSBATTERY.COM
 E-MAIL: SALES@ROLLSBATTERY.COM
 PHONE: 1-800-681-9914

SCALE: 1" = 4" 8.5" X 11"

JPEG: NOT TO SCALE

Drawn by:

P. FERRON

Approved By:

JD SURRETTE

DATE: JAN-2010

REVISION 2

DRAWING NO.:

DWG 033, BD-CH375M