



DEEP CYCLE
SERIES: 5000
MODEL: 8 NS 33 P

BATTERY ENGINEERING
WWW.ROLLSBATTERY.COM MADE IN CANADA

BATTERY TYPE: 8 VOLTS

DIMENSIONS:

LENGTH	718 MM	28 1/4 INCHES
WIDTH	286 MM	11 1/4 INCHES
HEIGHT	464 MM	18 1/4 INCHES

WEIGHTS:

WEIGHT DRY	113 KG	250 LBS.
WEIGHT WET	160 KG	352 LBS.

CONTAINER CONSTRUCTION:

CONTAINER: (INNER)	POLYPROPYLENE	TERMINALS:	FLAG WITH STAINLESS STEEL NUTS AND BOLTS
COVER: (INNER)	POLYPROPYLENE - HEAT SEALED TO INNER CONTAINER	HANDLES:	MOLDED
CONTAINER: (OUTER)	HIGH DENSITY POLYETHYLENE		
COVER: (OUTER)	HIGH DENSITY POLYETHYLENE SNAP FIT TO OUTER CONTAINER		

PLATES:

POSITIVE PLATE DIMENSION:

HEIGHT	222 MM	8.750 INCHES
WIDTH	143 MM	5.625 INCHES
THICKNESS	3.81 MM	0.150 INCHES

CELLS: 4 **PLATES/CELL:** 33

NEGATIVE PLATE DIMENSION:

HEIGHT	222 MM	8.750 INCHES
WIDTH	143 MM	5.625 INCHES
THICKNESS	3.05 MM	0.120 INCHES

SEPARATOR: THICKNESS 3 MM 0.105 INCHES

INSULATION: GLASS MAT 1 MM 0.020 INCHES

CAPACITY:

CRANK AMPS:		
COLD (CCA)	0°F / -17.8°C	2204
MARINE (MCA)	32°F / 0°C	2755

ELECTROLYTE RESERVE: ABOVE PLATES 143 MM 5.63 INCHES

RESERVE CAPACITY: RC @ 25A 1042 MINUTES

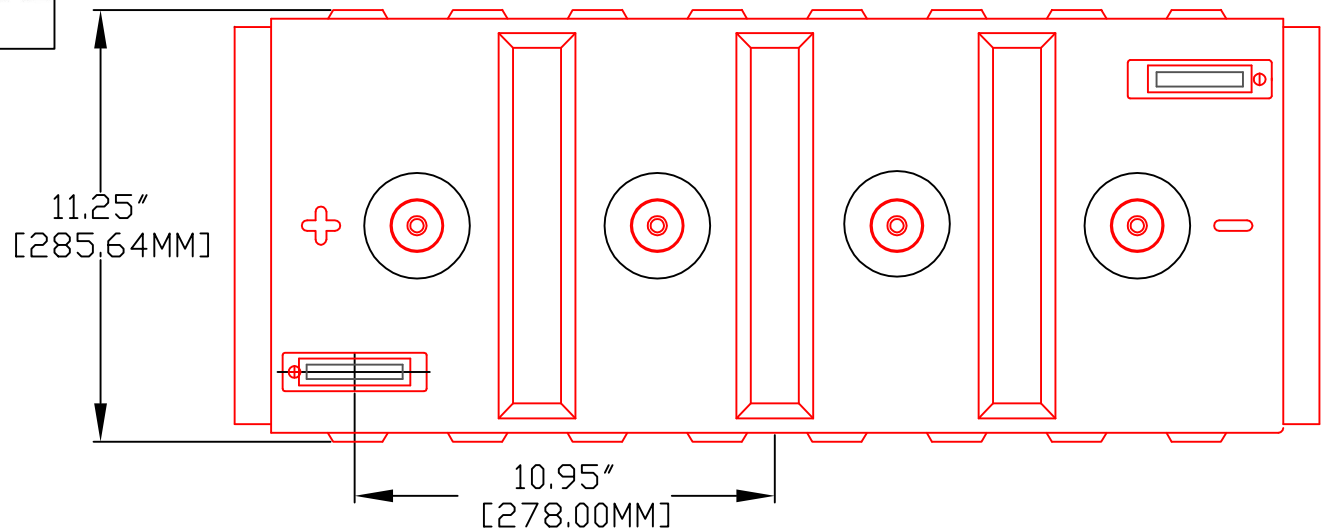
20 HR RATE: 655 50% DOD

	HOUR RATE	SPECIFIC GRAVITY	CAP / AH	CURRENT / AMPS
CAPACITY @	100 HOUR RATE	1.280 SP. GR.	924	9.24
CAPACITY @	72 HOUR RATE	1.280 SP. GR.	871	12.10
CAPACITY @	50 HOUR RATE	1.280 SP. GR.	806	16.11
CAPACITY @	24 HOUR RATE	1.280 SP. GR.	681	28.4
CAPACITY @	20 HOUR RATE	1.280 SP. GR.	655	32.8
CAPACITY @	15 HOUR RATE	1.280 SP. GR.	609	40.6
CAPACITY @	12 HOUR RATE	1.280 SP. GR.	570	47.5
CAPACITY @	10 HOUR RATE	1.280 SP. GR.	544	54.4
CAPACITY @	8 HOUR RATE	1.280 SP. GR.	511	63.9
CAPACITY @	6 HOUR RATE	1.280 SP. GR.	465	77.5
CAPACITY @	5 HOUR RATE	1.280 SP. GR.	439	88
CAPACITY @	4 HOUR RATE	1.280 SP. GR.	406	102
CAPACITY @	3 HOUR RATE	1.280 SP. GR.	367	122
CAPACITY @	2 HOUR RATE	1.280 SP. GR.	314	157
CAPACITY @	1 HOUR RATE	1.280 SP. GR.	223	223



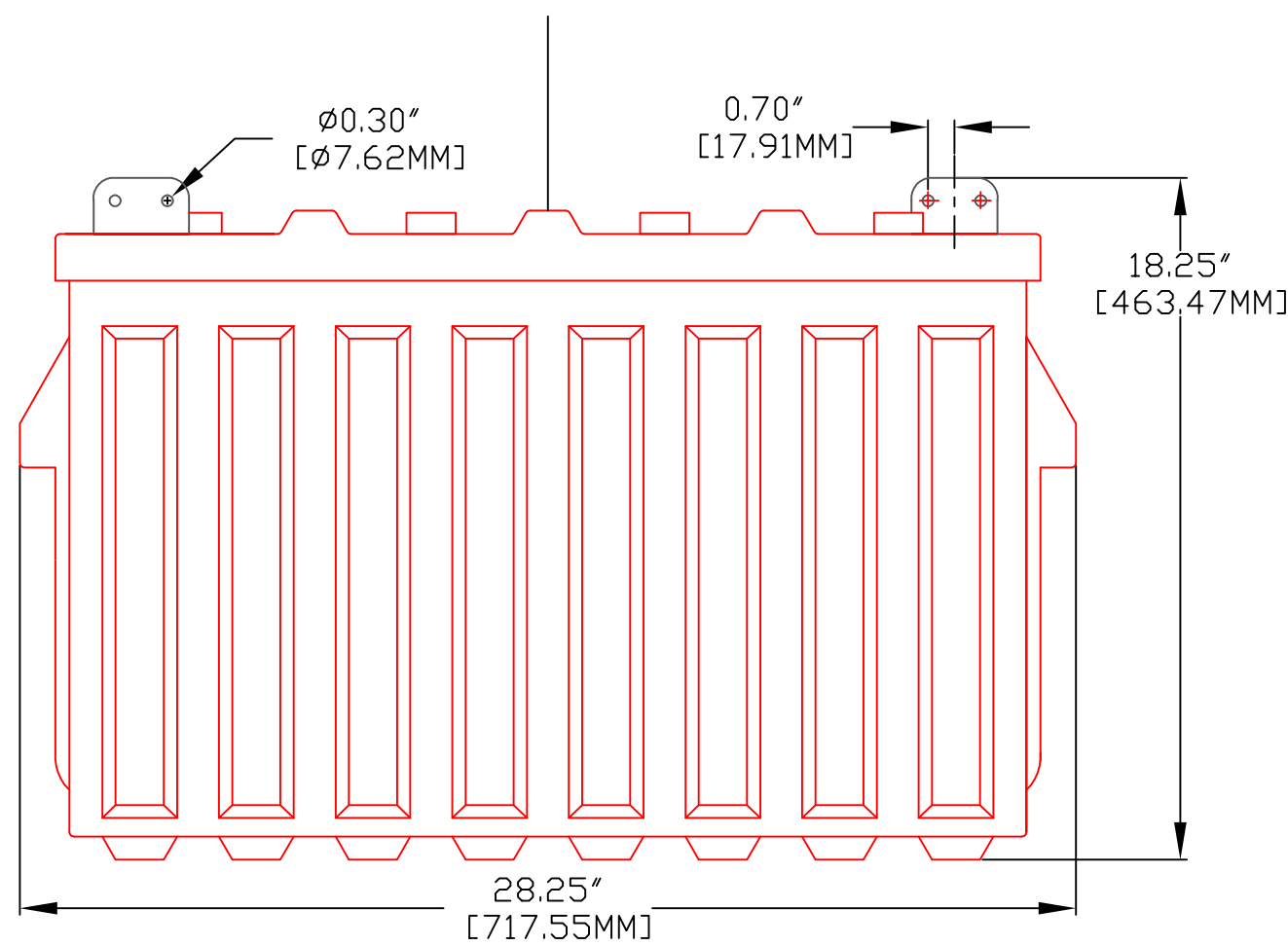
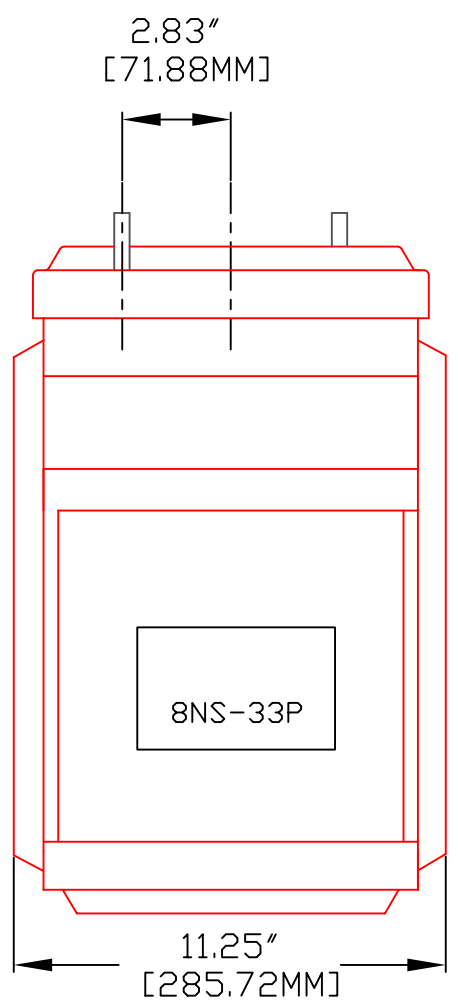
1 STATION RD SPRINGHILL, NOVA SCOTIA CANADA B0M 1X0 1.800.681.9914

REV.2
 Jan-10
 8 NS 33 P



PART NUMBER: 8-NS-33P
 WEIGHT WET: 352 LB / 160 KG
 WEIGHT DRY: 250 LB / 114 KG
 CAPACITY: 655 AH 20 HOUR
 VOLTAGE: 8 V
 OVERALL DIMENSIONS: 28 1/4" x 11 1/4" x 18 1/4"

 MAX HEIGHT WITH OPTIONAL HYDROCAPS: 18.63" / 473 MM



TITLE:	8NS33P	
DESCRIPTION:	8V 5000 SERIES	
CONTACT INFO:	WEB: WWW.ROLLSBATTERY.COM E-MAIL: SALES@SURRETTE.COM PHONE: 1-800-681-9914	
SCALE:	1" = 6" / 8.5" X 11" 1" = 4" / 11" X 17"	JPEG: NOT TO SCALE
Drawn by:	S. WILES	Approved By: J.D. SURRETTE
DATE:	JAN-2010	REVISION 2.0
DRAWING NO.:	DWG 015, BD8NS33P	