



DEEP CYCLE
SERIES: 4000
MODEL: 6 HHG 15DP

BATTERY ENGINEERING
WWW.ROLLSBATTERY.COM MADE IN CANADA

BATTERY TYPE: 6 VOLTS

DIMENSIONS:

LENGTH 527 MM 20 3/4 INCHES
WIDTH 279 MM 11 INCHES
HEIGHT 254 MM 10 INCHES

WEIGHTS:

WEIGHT DRY 61 KG 135 LBS.
WEIGHT WET 78 KG 172 LBS.

CONTAINER CONSTRUCTION:

CONTAINER: (INNER) POLYPROPYLENE
COVER: (INNER) POLYPROPYLENE - HEAT SEALED TO INNER CONTAINER
CONTAINER: (OUTER) HIGH DENSITY POLYETHYLENE
COVER: (OUTER) HIGH DENSITY POLYETHYLENE SNAP FIT TO OUTER CONTAINER

TERMINALS: FLAG WITH STAINLESS STEEL NUTS AND BOLTS

HANDLES: MOLDED

SPECIAL: 6 REMOVABLE BOLT-TOGETHER CELLS IN COAST GUARD APPROVED BATTERY BOX

PLATES:

POSITIVE PLATE DIMENSION:
HEIGHT 140 MM 5.500 INCHES
WIDTH 143 MM 5.625 INCHES
THICKNESS 3.81 MM 0.150 INCHES

CELLS: 6 (2 X 6V PARALLEL)

PLATES/CELL: 31

NEGATIVE PLATE DIMENSION:
HEIGHT 140 MM 5.500 INCHES
WIDTH 143 MM 5.625 INCHES
THICKNESS 2.49 MM 0.098 INCHES

SEPARATOR: THICKNESS 2 MM 0.081 INCHES

INSULATION: GLASS MAT 1 MM 0.020 INCHES

CAPACITY:

CRANK AMPS:
COLD (CCA) 0°F / -17.8°C 1155
MARINE (MCA) 32°F / 0°C 1444

ELECTROLYTE RESERVE: ABOVE PLATES 57 MM 2.25 INCHES

RESERVE CAPACITY: RC @ 25A 1332 MINUTES

20 HR RATE: 550 50% DOD

	HOUR RATE	SPECIFIC GRAVITY	CAP / AH	CURRENT / AMPS
CAPACITY @	100 HOUR RATE	1.280 SP. GR.	732	7.32
CAPACITY @	72 HOUR RATE	1.280 SP. GR.	693	9.63
CAPACITY @	50 HOUR RATE	1.280 SP. GR.	655	13.09
CAPACITY @	24 HOUR RATE	1.280 SP. GR.	567	23.6
CAPACITY @	20 HOUR RATE	1.280 SP. GR.	550	27.5
CAPACITY @	15 HOUR RATE	1.280 SP. GR.	517	34.5
CAPACITY @	12 HOUR RATE	1.280 SP. GR.	490	40.8
CAPACITY @	10 HOUR RATE	1.280 SP. GR.	468	46.8
CAPACITY @	8 HOUR RATE	1.280 SP. GR.	440	55.0
CAPACITY @	6 HOUR RATE	1.280 SP. GR.	407	67.8
CAPACITY @	5 HOUR RATE	1.280 SP. GR.	385	77
CAPACITY @	4 HOUR RATE	1.280 SP. GR.	358	89
CAPACITY @	3 HOUR RATE	1.280 SP. GR.	325	108
CAPACITY @	2 HOUR RATE	1.280 SP. GR.	281	140
CAPACITY @	1 HOUR RATE	1.280 SP. GR.	198	198



I STATION RD SPRINGHILL, NOVA SCOTIA CANADA B0M 1X0 1.800.681.9914

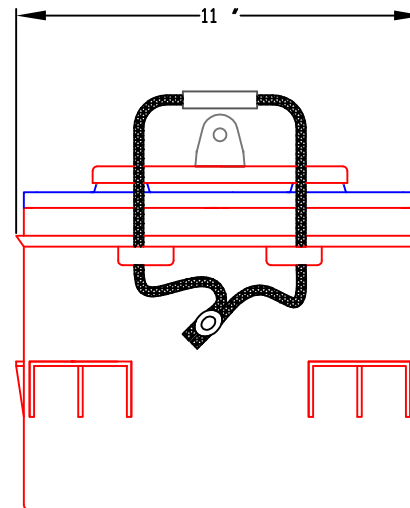
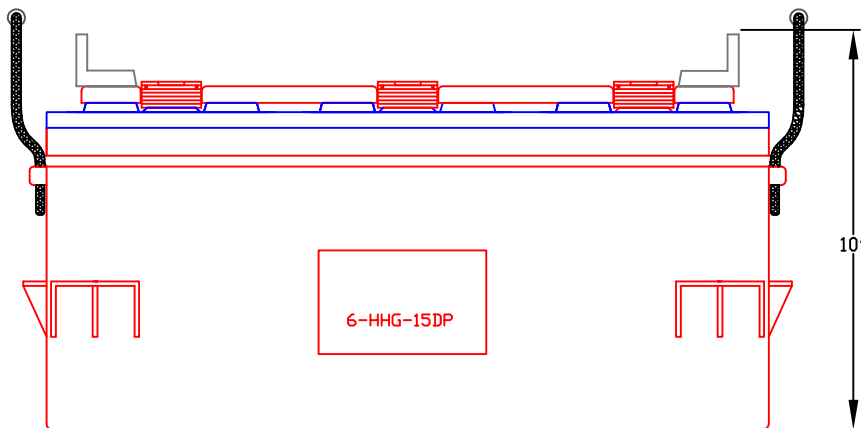
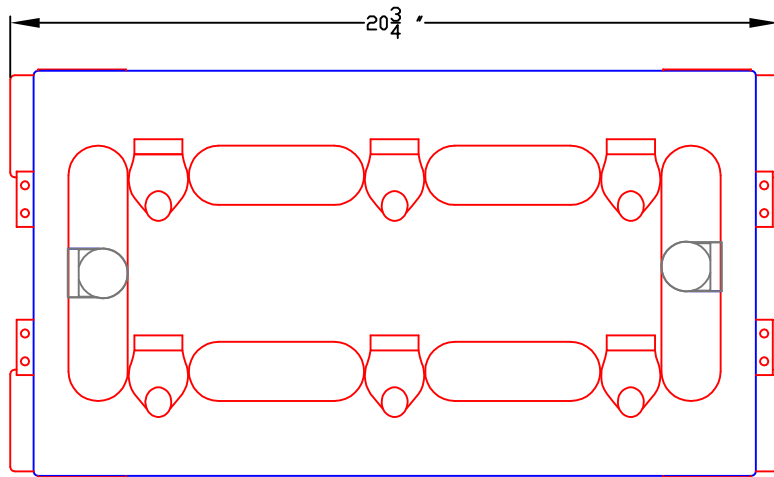
REV.2
 Jan-10
 6 HHG 15DP



PART NUMBER: 6HHG15DP
 WEIGHT WET: 172 LB / 78 KG
 WEIGHT DRY: 135 LB / 61 KG

CAPACITY: 550 AH 20 HR
 VOLTAGE: 2 x 6V
 OVERALL DIMENSIONS: 20 3/4" X 11" X 10"
 OVERALL HEIGHT WITH HYDROCAPS: 10 3/8"

*SHOWN WITH STANDARD FLAG TERMINALS



TITLE:	6HHG15DP	
DESCRIPTION:	2 x 6V DEEP CYCLE	
CONTACT INFO:	WEB: WWW.SURRETTE.COM E-MAIL: SALES@SURRETTE.COM PHONE: 1-800-681-9914	
SCALE:	1" = 5" 8.5" X 11"	JPEG NOT TO SCALE
Drawn by:	P. FERRON	Approved By: JD SURRETTE
DATE:	JAN-2010	REVISION 2
DRAWING NO.:	6HHG15DP	